



PVDF Multifunction Valve Optional

Z Series Solenoid Diaphragm Metering Pumps

ANALOG OPERATION

KEY FEATURES

- Three Pump Sizes Cover <1 To 29 GPH, with Discharge Pressures up to 232 psi
- Standard One Piece Molded PVDF Pump Head
- PTFE Diaphragm Provides Superior Chemical Handling
- Degassing Valve Included on 100 and 200 Size Models
- Glass Reinforced Polypropylene Housing
- FPM Body O-Ring Seal
- Removable Bracket Allows For Panel Mounting
- Inputs: 4-20mA, Pulse, etc. (varies by model)
- Manual Priming Valve on 500 Size
- NEMA 4X/IP65 Rated
- Electrical Connections Are Configured With "Quick-Connectors", Capped When Not In Use
- Automatic Power Supply - 100-240 VAC 50-60 Hz
- CE Mark
- Complete Standard Installation Kit Includes:
 - PVDF Foot Filter & Injection Valve
 - PVC Suction Tube
 - PE Delivery Tube

OPTIONS

- Multifunction Valve Optional
- EPDM Seals Optional
- Level Switch
- Flow Switch

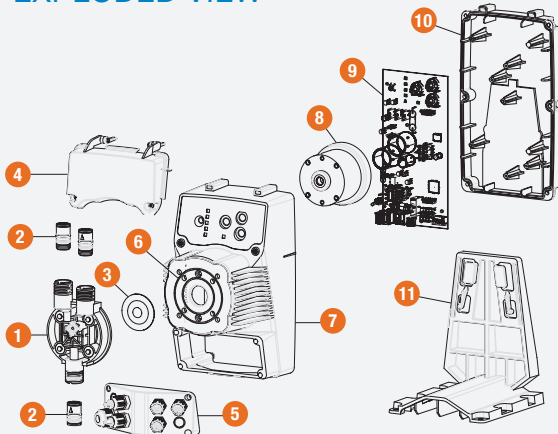
MATERIALS

- GFPP Cell Class 85580 Per ASTM D4101
- PVDF Per ASTM D3222 II
- PTFE Diaphragm
- FPM Seals

CORROSION RESISTANT PUMPS

TECHNICAL INFORMATION

EXPLODED VIEW



SPECIFICATIONS

PUMP SIZE	FLOW RATE (GPH)	LINE PRESSURE (PSI)	STROKE CAPACITY (CC/STROKE)	Ø CONNECTIONS IN / OUT (INCHES)	FREQUENCY MAX (STROKE/MIN)	CONSUMPTION (W)
100	1.06	175	0.42	0.17" x 1/4"	160	12.2
	1.32	145	0.52			
	1.58	116	0.63			
	2.11	29	0.83			
200	1.85	232	0.38	0.17" x 1/4"	300	23.9
	2.64	145	0.55			
	3.96	72	0.83			
	4.75	14	1.00			
500	7.90	73	1.11	5/16" x 7/16"	300	22.2
	10.50	58	1.39			
	12.00	29	2.22			
	29.00	0	3.00			

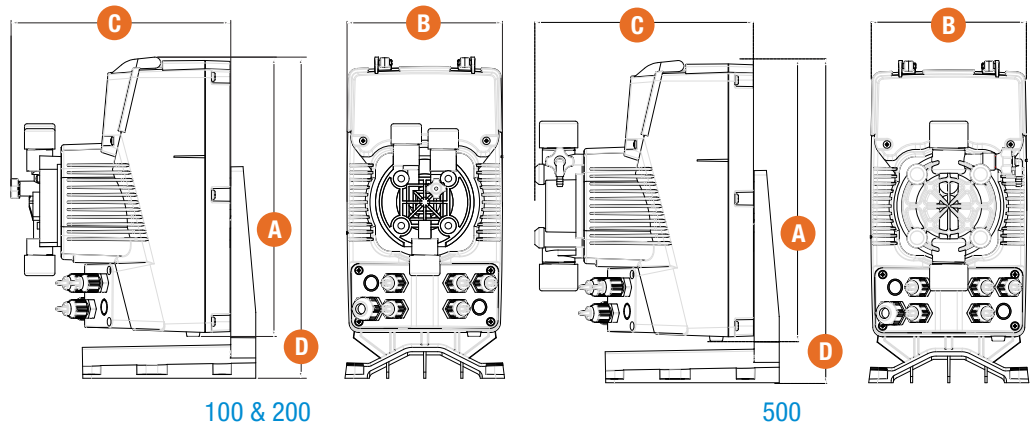
Z Series Solenoid Diaphragm Metering Pumps

ANALOG OPERATION

TECHNICAL INFORMATION, CONTINUED

PARTS LIST

1. Pump Head - PVDF
2. Ceramic Check Valve Assemblies - PVDF / FPM/SC
3. Diaphragm - PTFE
4. Front Panel Lid
5. Wiring Terminal Block - GFPP
6. O-Ring Seal - FPM
7. Housing - GFPP
8. Solenoid
9. Circuit Board
10. Back Plate - GFPP
11. Mounting Stand - GFPP



DIMENSIONS

PUMP SIZE	A in / mm	B in / mm	C in / mm	D in / mm	WEIGHT lbs / kg
100 & 200	9.1 / 231	4.7 / 119	7.81 / 198	10 / 254	6.9 / 3.1
500	9.1 / 231	4.7 / 119	7.77 / 197	10 / 254	9.5 / 4.3

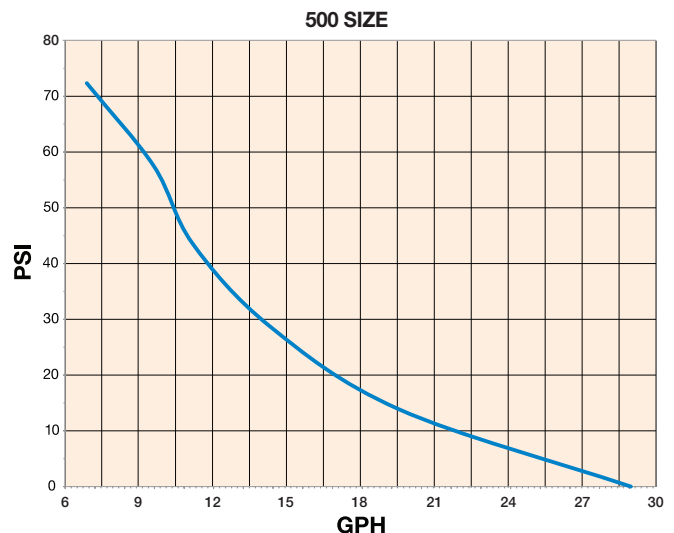
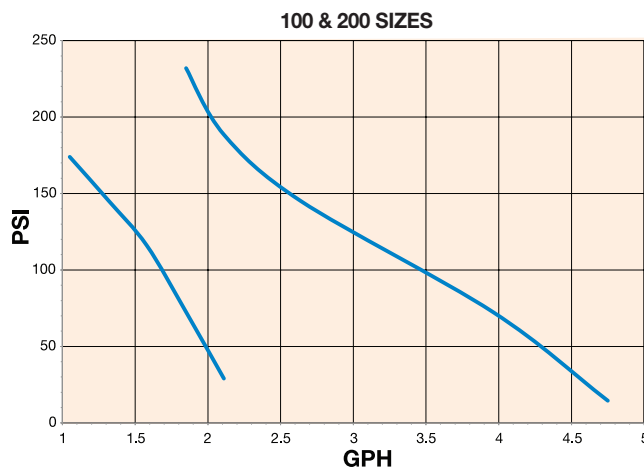
MULTIFUNCTION VALVE DETAILS

- Separately Adjustable Back-Pressure and Over-Pressure Controls
- PVDF Wetted Components
- Mounts on Pump Discharge
- Kit includes Back-pressure Tubing

OPERATION FEATURES BY MODEL

MODEL	FREQUENCY	DOSING	4-20MA	PULSE INPUT	PULSE MUL/ DIVISION	LEVEL/FLOW SWITCH IN	REMOTE ON/OFF	ALARM RELAY	100 / 200 / 500 MODELS
ZMA	Manual, Dual Range	Constant	No	No	No	Select	Yes	Yes	Yes
ZPA	Manual or Remote	Proportional	Input	Yes	Yes	Select	Yes	Yes	Yes
ZTA	Manual	Timed or Constant	No	Yes	No	Select	No	Yes	Yes

PERFORMANCE CURVES



Hayward is a registered trademark of Hayward Industries, Inc.
© 2022 Hayward Industries, Inc.

USA: 1.888.429.4635 • Fax: 1.888.778.8410 • One Hayward Industrial Drive • Clemmons, NC 27012 • Email: hfcsales@hayward.com
Canada: 1.888.238.7665 • Fax: 1.905.829.3636 • 2880 Plymouth Drive • Oakville, ON L6H 5R4 • Email: hfcanada@hayward.com
Visit us at: haywardflowcontrol.com



PVDF Multifunction Valve Optional

Z Series Solenoid Diaphragm Metering Pumps

DIGITAL OPERATION

KEY FEATURES

- Three Pump Sizes Cover <1 To 29 GPH, with Discharge Pressures up to 232 psi
- Standard One Piece Molded PVDF Pump Head
- PTFE Diaphragm Provides Superior Chemical Handling
- Degassing Valve Included on 100 and 200 Size Models
- Glass Reinforced Polypropylene Housing
- FPM Body O-Ring Seal, EPDM Optional
- Removable Bracket Allows For Panel Mounting
- Inputs: 4-20mA, Pulse, etc. (varies by model)
- Manual Priming Valve on 500 Size
- NEMA 4X/IP65 Rated
- Electrical Connections Are Configured With "Quick-Connectors", Capped When Not In Use
- Automatic Power Supply - 100-240 VAC 50-60 Hz
- CE Mark
- Complete Standard Installation Kit Includes:
 - PVDF Foot Filter & Injection Valve
 - PVC Suction Tube
 - PE Delivery Tube

OPTIONS

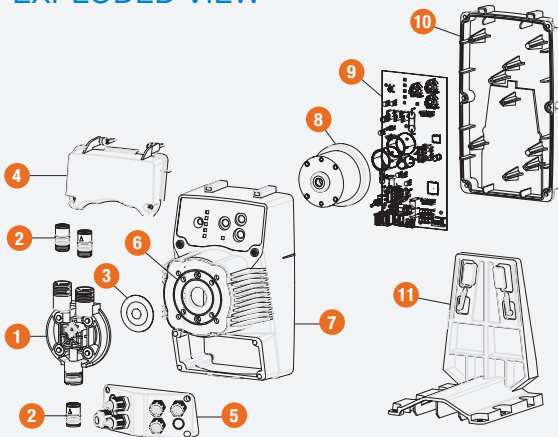
- Multifunction Valve Optional
- EPDM Seals Optional
- Level Switch
- Flow Switch

MATERIALS

- GFPP Cell Class 85580 Per ASTM D4101
- PVDF Per ASTM D3222 II
- PTFE Diaphragm
- FPM Seals

TECHNICAL INFORMATION

EXPLODED VIEW



SPECIFICATIONS

PUMP SIZE	FLOW RATE (GPH)	LINE PRESSURE (PSI)	STROKE CAPACITY (CC/STROKE)	Ø CONNECTIONS IN / OUT (INCHES)	FREQUENCY MAX (STROKE/MIN)	CONSUMPTION (W)
100	1.06	175	0.42	0.17" x 1/4"	160	12.2
	1.32	145	0.52			
	1.58	116	0.63			
	2.11	29	0.83			
200	1.85	232	0.38	0.17" x 1/4"	300	23.9
	2.64	145	0.55			
	3.96	72	0.83			
	4.75	14	1.00			
	7.90	73	1.11			
500	10.50	58	1.39	5/16" x 7/16"	300	22.2
	12.00	29	2.22			
	29.00	0	3.00			

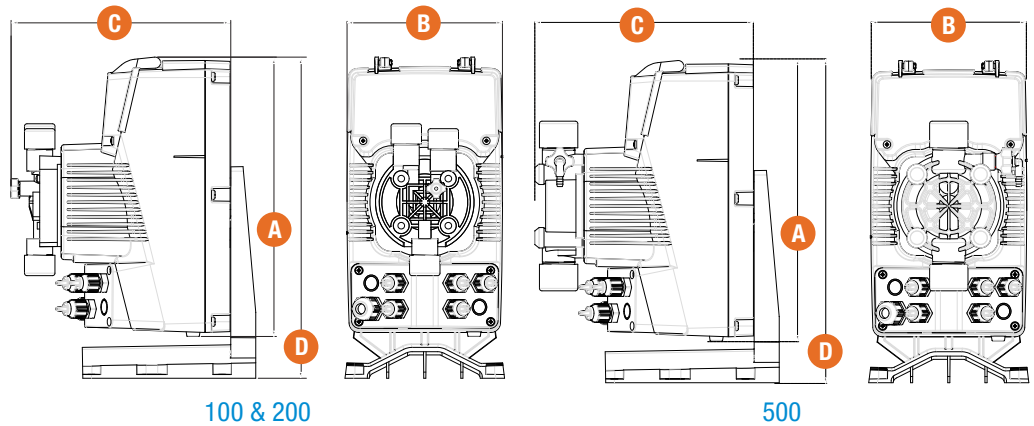
Z Series Solenoid Diaphragm Metering Pumps

DIGITAL OPERATION

TECHNICAL INFORMATION, CONTINUED

PARTS LIST

1. Pump Head - PVDF
2. Ceramic Check Valve Assemblies - PVDF / FPM/SC
3. Diaphragm - PTFE
4. Front Panel Lid
5. Wiring Terminal Block - GFPP
6. O-Ring Seal - FPM
7. Housing - GFPP
8. Solenoid
9. Circuit Board
10. Back Plate - GFPP
11. Mounting Stand - GFPP



DIMENSIONS

PUMP SIZE	A in / mm	B in / mm	C in / mm	D in / mm	WEIGHT lbs / kg
100 & 200	9.1 / 231	4.7 / 119	7.81 / 198	10 / 254	6.9 / 3.1
500	9.1 / 231	4.7 / 119	7.77 / 197	10 / 254	9.5 / 4.3

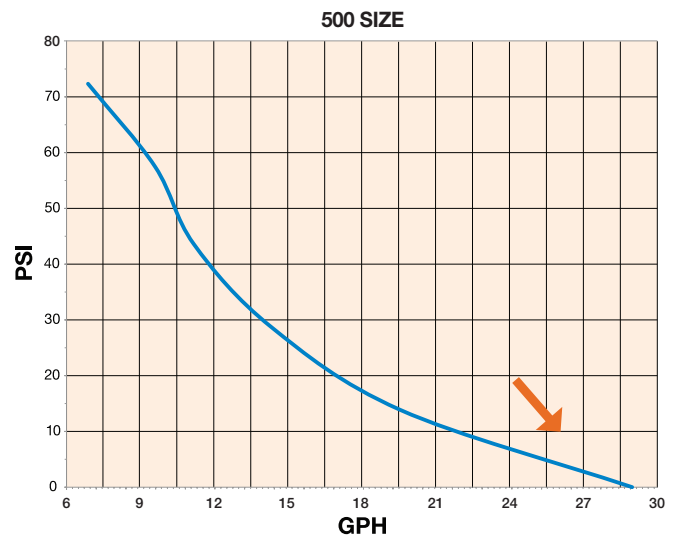
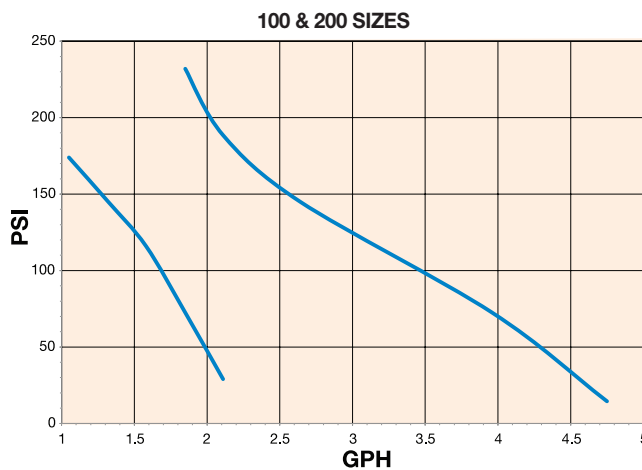
MULTIFUNCTION VALVE DETAILS

- Separately Adjustable Back-Pressure and Over-Pressure Controls
- PVDF Wetted Components
- Mounts on Pump Discharge
- Kit includes Back-pressure Tubing

OPERATION FEATURES BY MODEL

MODEL	FREQUENCY	DOSING	4-20MA	PULSE INPUT	PULSE MUL/DIVISION	LEVEL/FLOW SWITCH IN	REMOTE ON/OFF	ALARM RELAY	100 / 200 / 500 MODELS
ZPD	Manual	Proportional	Input	Yes	Yes	Both	Yes	Yes	Yes
ZRD	Auto or Manual	pH/ORP Setpoint	Output	No	No	Both	Yes	Yes	Yes
ZKD	Manual	Timed or Constant	No	Yes	No	Both	Yes	Yes	100 / 500

PERFORMANCE CURVES



Hayward is a registered trademark of Hayward Industries, Inc.
© 2022 Hayward Industries, Inc.

USA: 1.888.429.4635 • Fax: 1.888.778.8410 • One Hayward Industrial Drive • Clemmons, NC 27012 • Email: hfcsales@hayward.com
Canada: 1.888.238.7665 • Fax: 1.905.829.3636 • 2880 Plymouth Drive • Oakville, ON L6H 5R4 • Email: hfcanada@hayward.com
Visit us at: haywardflowcontrol.com